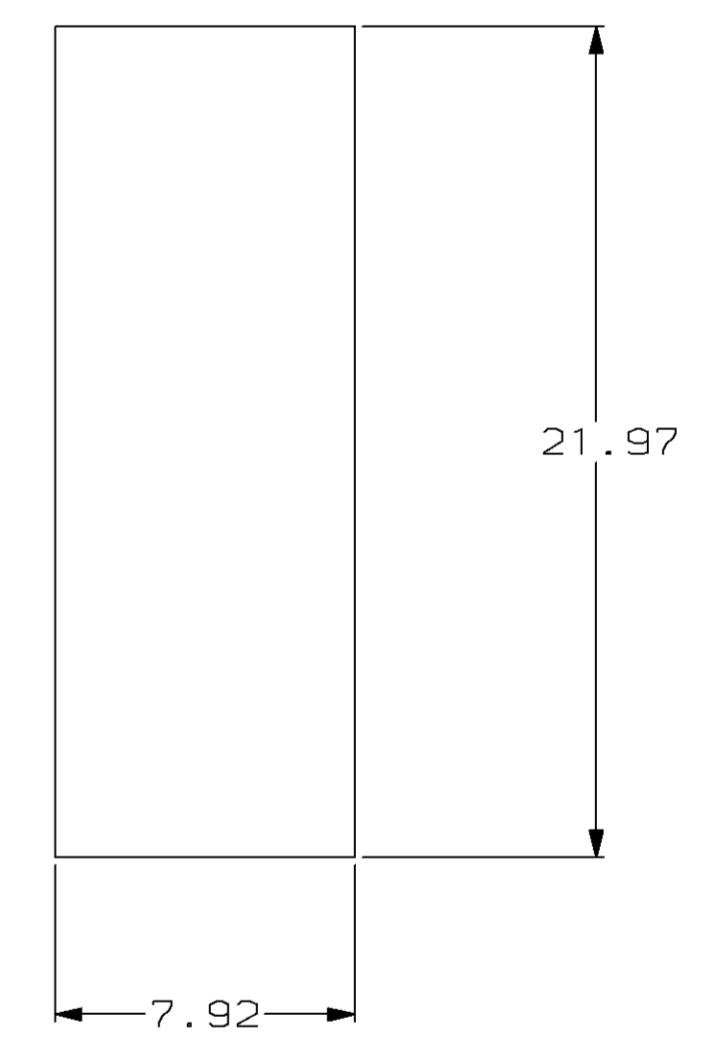
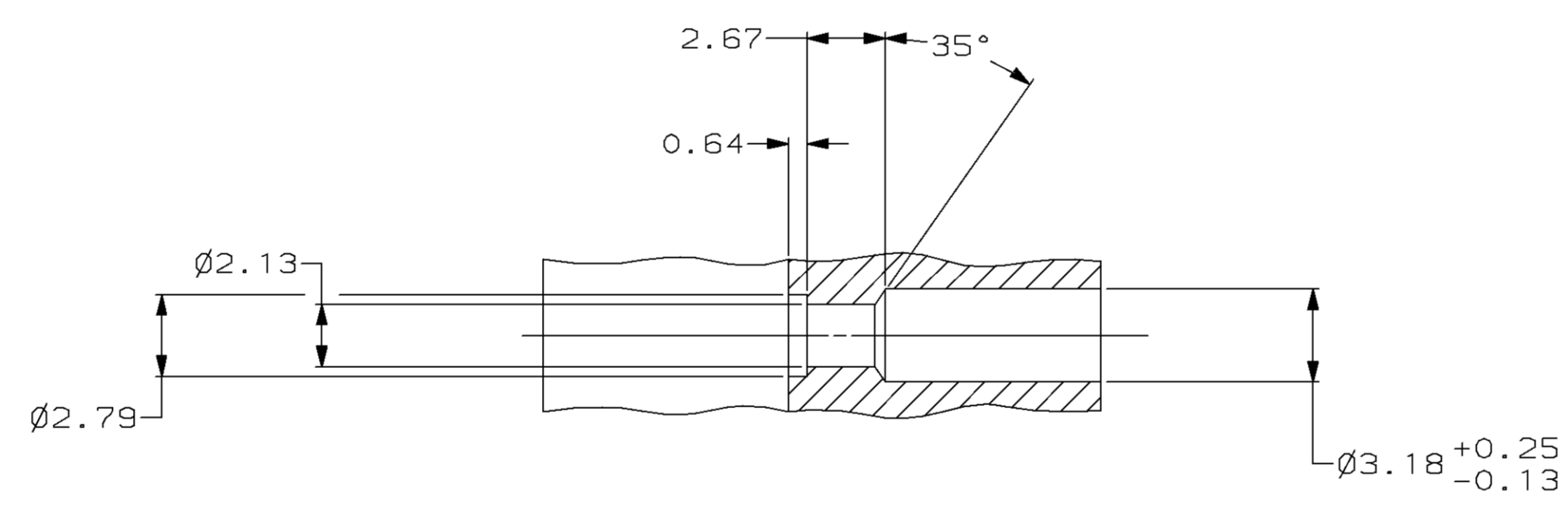
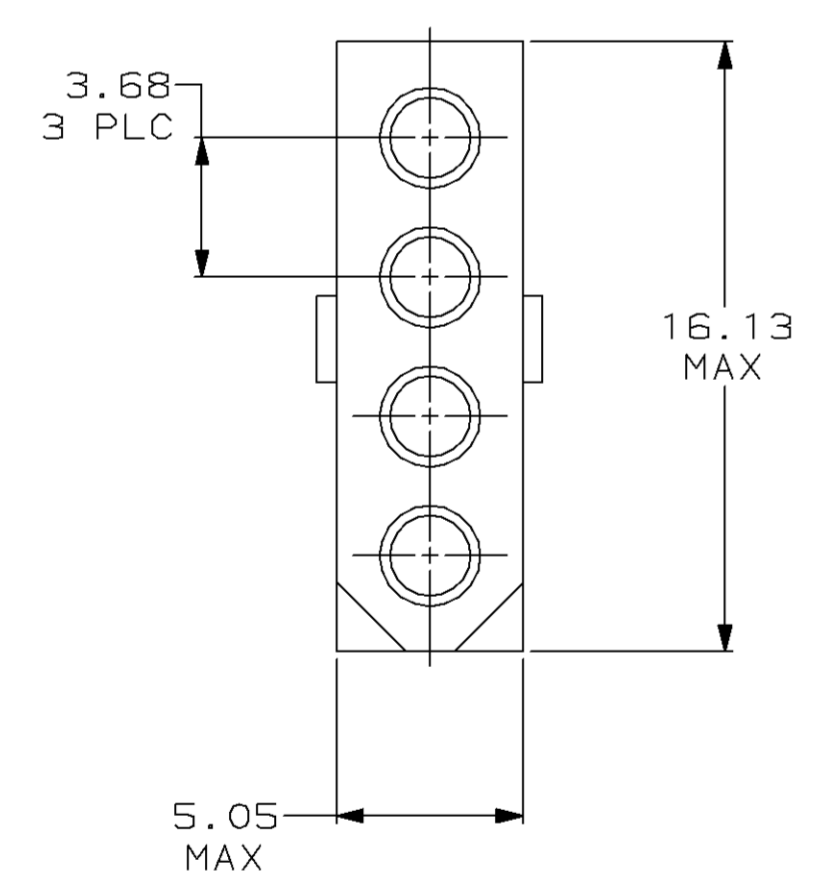
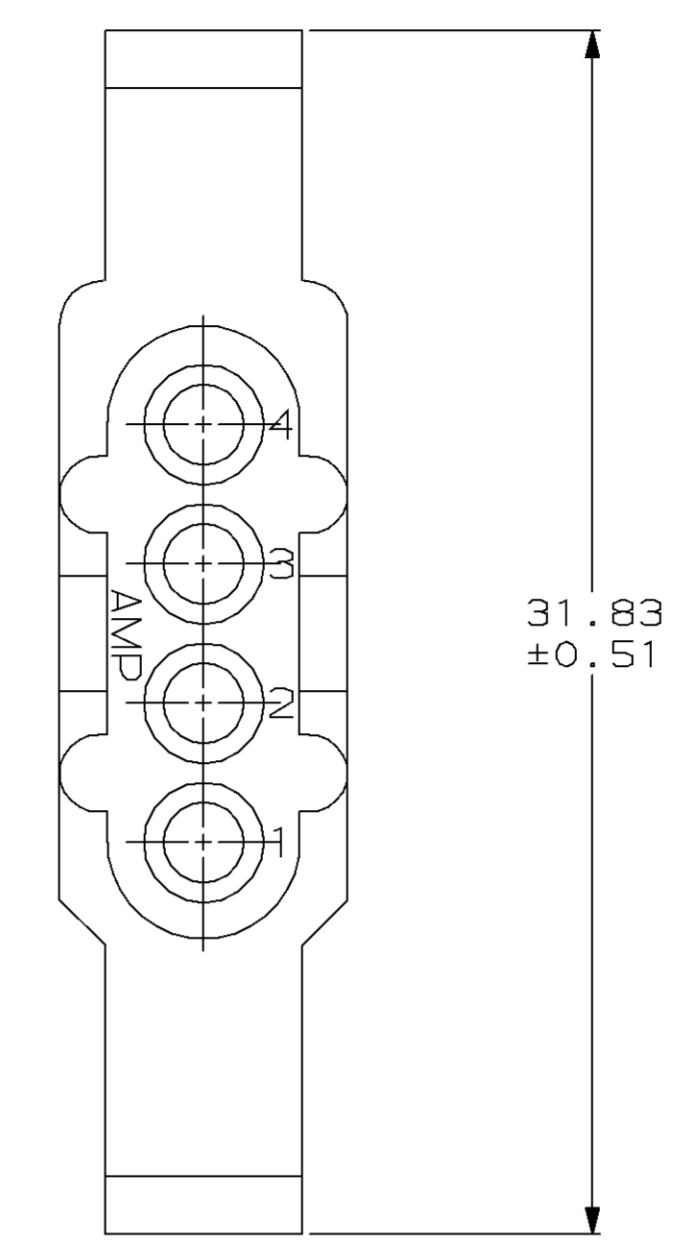
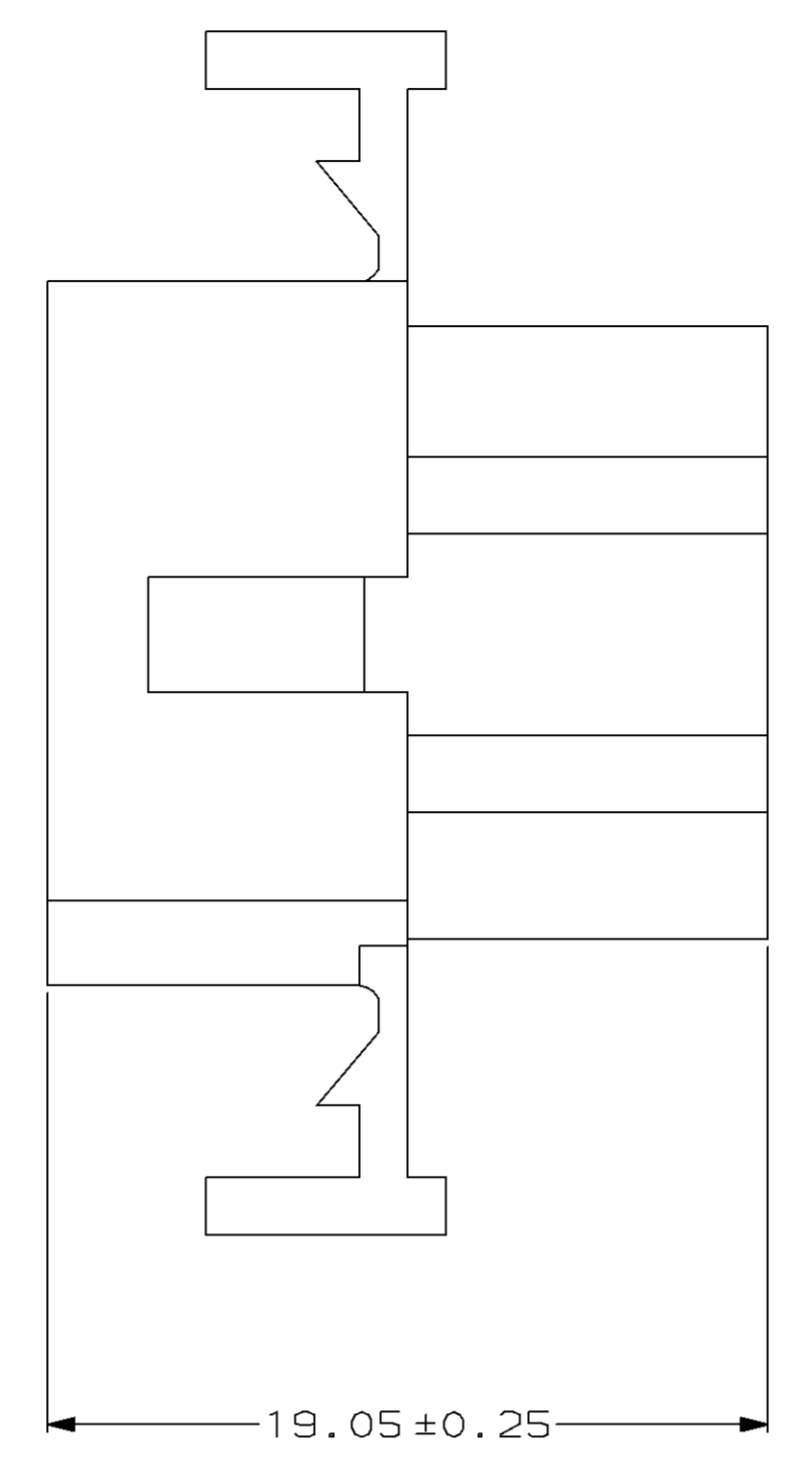
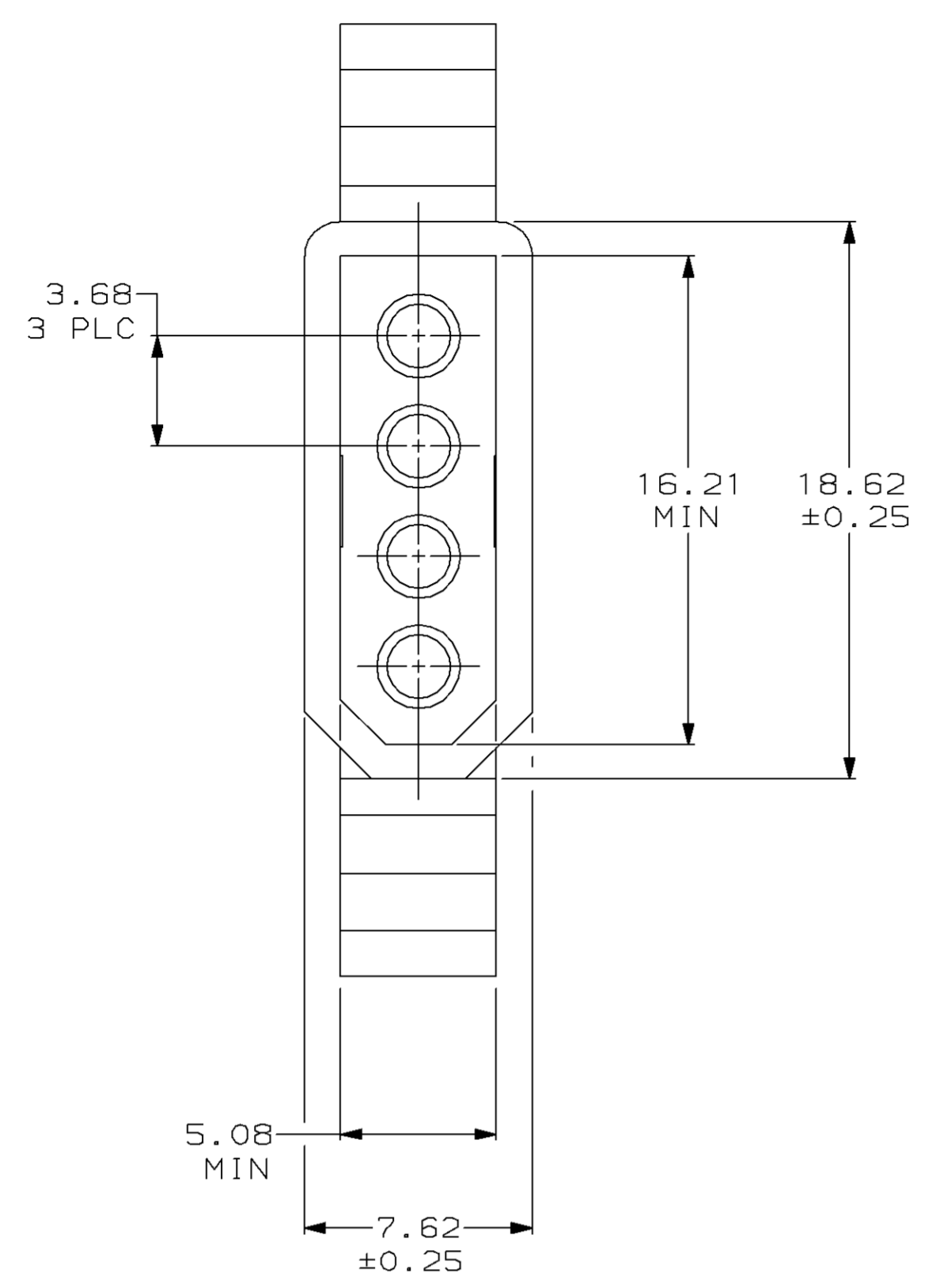
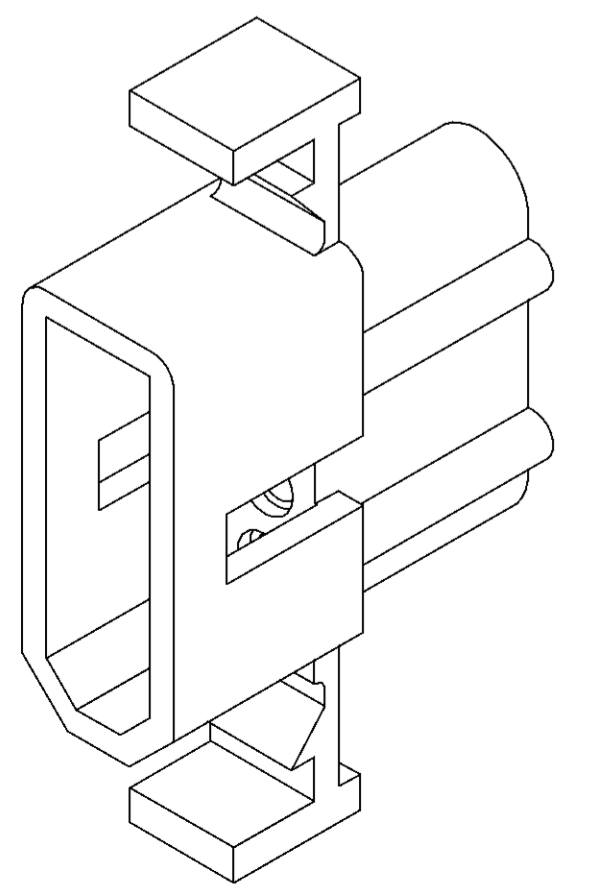


REVISIONS						
LOC	QIST	P	F	ZONE	LTR	DESCRIPTION
CM	53				C	REV & REDWN PER CM-11
						DATE
						11-4-93
						APPD
						KW
						RS



TYPICAL PLUG CAVITY SECTION
(DIMENSIONS REFERENCE ONLY)

RECOMMENDED CUT OUT
FOR 1.52 MAX THICK PANEL

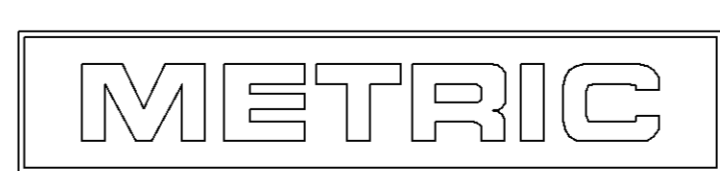


3-DIMENSIONAL MODEL
NTS

MATING CONNECTOR INTERFACE

MM	IN	MM	IN	MM	IN
2.13	.084	7.62	.300	31.83	1.253
1.57	.062	5.08	.200	21.97	.865
1.52	.060	5.05	.199	19.05	.750
0.64	.025	3.68	.145	18.62	.733
0.51	.020	3.18	.125	16.21	.638
0.25	.010	2.79	.110	16.13	.635
0.13	.005	2.67	.105	7.92	.312

CONVERSION TABLE



THIS DRAWING IS A CONTROLLED DOCUMENT FOR AMP INCORPORATED. IT IS SUBJECT TO CHANGE AND THE CONTROLLING ENGINEERING ORGANIZATION SHOULD BE CONTACTED FOR THE LATEST REVISION.

DO NOT SCALE PRINT. UNLESS SPECIFIED DIMENSIONS IN mm [INCHES]		DR 11-4-93 K. WHITAKER	770334-1 PART NO		
TOLERANCES ON: 2 PLC DEC ± 0.13 3 PLC DEC ± - ANGLES ± 1°0'		CHK 11-4-93 R. SWING	AMP Incorporated Harrisburg, PA 17105-3608		
MATERIAL NYLON, UL 94V-2 NATURAL		APPD 11-4-93 C. CASH	NAME PLUG, PANEL MOUNT, 4 CIRCUIT, .062 PIN AND SOCKET		
FINISH -		APPD 11-4-93 C. CASH	PRODUCT SPEC -	SIZE D	CAGE CODE 00779
WEIGHT -		APPLICATION SPEC -	DRAWING NO C-770334	SCALE 5:1	SHEET 1 OF 1